

SPARE PARTS LIST

MODEL NO. UH5550

ITEM	PART NO.	DESCRIPTION	QTY	NOTE
001	970801820	ROTOR ASSY INC. 3,4	1	
002	970801220	STARTER ASSY	1	
003	960101074	BALL BEARING	1	
004	960101104	BALL BEARING	1	
005	957801410	CARBON BRUSH (2/SET)	2	
006	970001210	SWITCH	2	
010	970201220	SCREW WIRE CONNECTOR	1	
011	970311250	CONNECTING CABLE	1	
012	970311280	CONNECTING CABLE	1	
013	970311270	CONNECTING CABLE	1	
014	204152010	BREAK PROTECTION	1	
015	222111030	GASKET	1	
016	221213111	HAND GUARD	1	
017	980114292	LABEL	1	
018	913540205	SCREW 4.0 X 20	2	
019	221310111	TUBULAR HANDLE	1	
020	221145110	PRESSURE SPRING	1	
021	917005250	SCREW M5X25	2	
022	221144110	FRONT GRIP SWITCH	1	
023	222110610	"CASE CPL., BLUE" INC. 25,26	1	
024	913540205	SCREW 4.0 X 20	9	
025	222111050	HEX NUT M5	6	
026	920205000	NUT	2	
027	920205000	NUT	1	
028	222111040	DUST PROTECTION (SPONGE)	1	
029	980114296	LABEL	1	
030	221144120	REAR GRIP SWITCH	1	
031	221145120	PRESSURE SPRING	1	
032	222144130	SWITCH FORK	1	
034	203152050	TRACTION RELIEF	1	
035	970801650	TUBE 8X30	1	
036	915635164	SELF-CUTTING SCREW 3.5X16	2	
037	*****	*****	***	*****
038	222211010	GEAR PLATE WITH AXLE	1	
039	221229180	WASHER	1	
040	221229180	WASHER	1	
041	222233610	PLATE	1	
042	222230650	SHEAR BLADE 55CM INC. 43-46,48-52	1	
043	222233450	BAR 55CM	1	
044	222233280	SHEAR PLATE A	1	
045	222233380	SHEAR PLATE B	1	
046	222233530	GUIDE PLATE 55CM	1	
047	222233170	SCREW M5X18	6	
048	222233160	SCREW M5X16	6	
049	222233150	DISTANCE PIECE	6	
050	924405520	WASHER 5.5/10 X 0.8	6	
051	221233170	SAFETY NUT M5	6	
052	220233620	SHEATH 55-63CM	1	
053	222250010	FOOT	1	
054	222233170	SCREW M5X18	1	
059	970102140	CABLE W/PLUG	1	

SPARE PARTS LIST

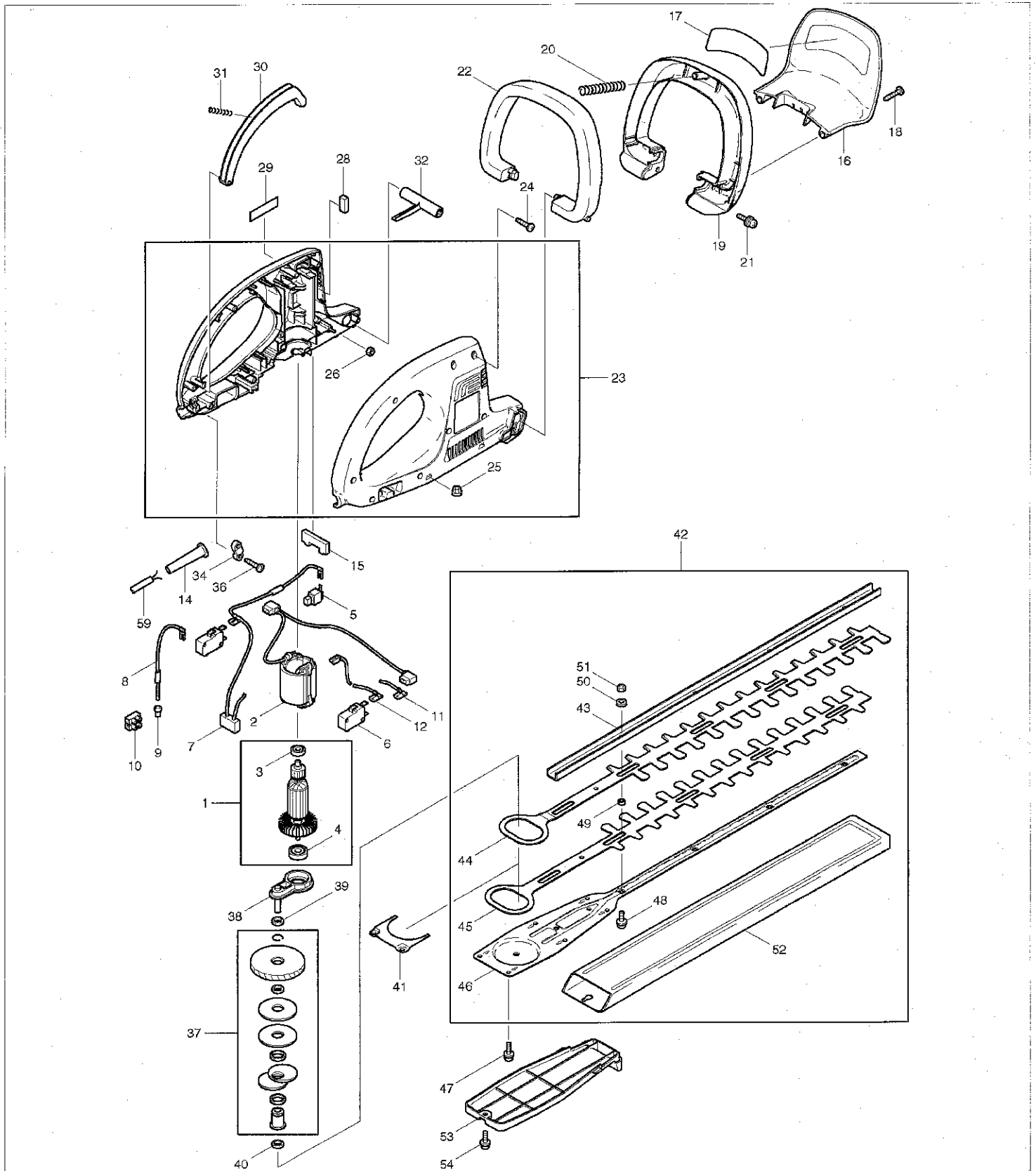
PAGE 2

MODEL NO. UH5550

ITEM	PART NO.	DESCRIPTION	QTY	NOTE
E01	810257-3	CAUTION LABEL	1	

SERVICE DRAWING

MODEL NO. UH5550



SPARE PARTS LIST

MODEL NO. UH6350

ITEM	PART NO.	DESCRIPTION	QTY	NOTE
001	970801820	ROTOR ASSY INC. 3,4	1	
002	970801220	STARTER ASSY	1	
003	960101074	BALL BEARING	1	
004	960101104	BALL BEARING	1	
005	957801410	CARBON BRUSH (2/SET)	2	
006	970001210	SWITCH	2	
007	970311291	CAPACITOR + REACT. COIL A	1	
010	970201220	SCREW WIRE CONNECTOR	1	
011	970311250	CONNECTING CABLE	1	
012	970311280	CONNECTING CABLE	1	
013	970311270	CONNECTING CABLE	1	
014	204152010	BREAK PROTECTION	1	
015	222111030	GASKET	1	
016	221213111	HAND GUARD	1	
017	980114292	LABEL	1	
018	913540205	SCREW 4.0 X 20	2	
019	221310111	TUBULAR HANDLE	1	
020	221145110	PRESSURE SPRING	1	
021	917005250	SCREW M5X25	2	
022	221144110	FRONT GRIP SWITCH	1	
023	222110610	"CASE CPL., BLUE" INC. 25,26	1	
024	913540205	SCREW 4.0 X 20	9	
025	222111050	HEX NUT M5	6	
026	920205000	NUT	2	
027	920205000	NUT	1	
028	222111040	DUST PROTECTION (SPONGE)	1	
029	980114296	LABEL	1	
030	221144120	REAR GRIP SWITCH	1	
031	221145120	PRESSURE SPRING	1	
032	222144130	SWITCH FORK	1	
034	203152050	TRACTION RELIEF	1	
035	970801650	TUBE 8X30	1	
036	915635164	SELF-CUTTING SCREW 3.5X16	2	
037	*****	*****	***	*****
038	222211010	GEAR PLATE WITH AXLE	1	
039	221229180	WASHER	1	
040	221229180	WASHER	1	
041	222233610	PLATE	1	
042	222230660	SHEAR BLADE 63CM INC. 43-46,48-52	1	
043	222233460	BAR 63CM	1	
044	222233290	SHEAR PLATE A	1	
045	222233390	SHEAR PLATE B	1	
046	222233540	GUIDE PLATE 63CM	1	
047	222233170	SCREW M5X18	6	
048	222233160	SCREW M5X16	6	
049	222233150	DISTANCE PIECE	6	
050	924405520	WASHER 5.5/10 X 0.8	6	
051	221233170	SAFETY NUT M5	6	
052	220233620	SHEATH 55-63CM	1	
053	222250010	FOOT	1	
054	222233170	SCREW M5X18	1	

SPARE PARTS LIST

PAGE 2

MODEL NO. UH6350

ITEM	PART NO.	DESCRIPTION	QTY	NOTE
059	970102140	CABLE W/PLUG	1	
E01	810257-3	CAUTION LABEL	1	

SERVICE DRAWING

MODEL NO. UH6350

